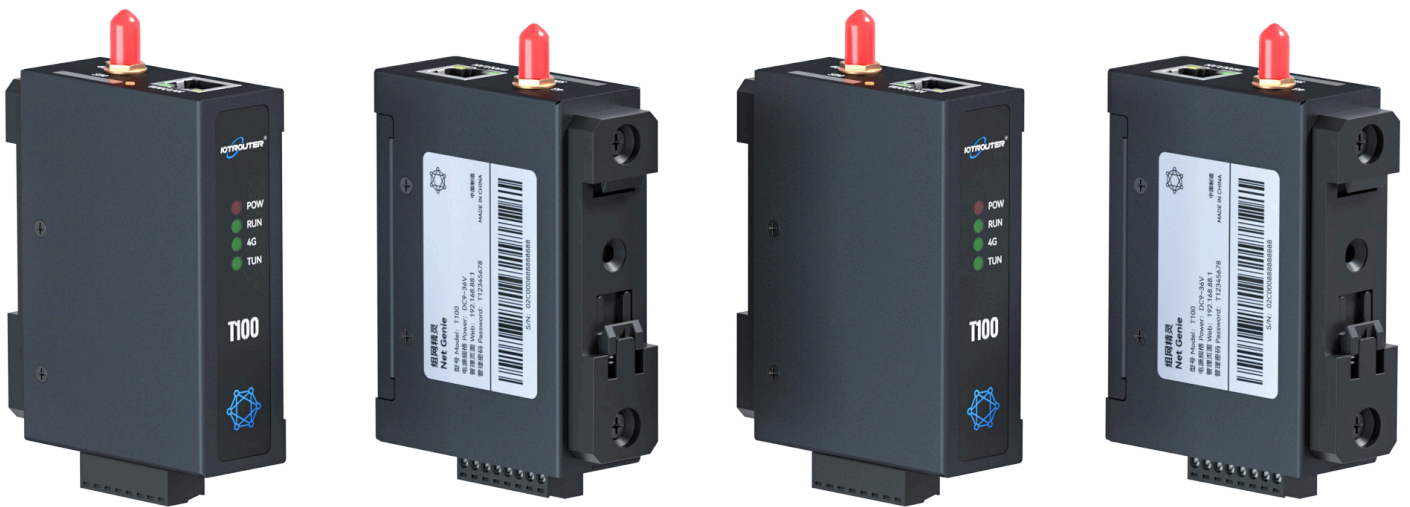




PRODUCT SPECIFICATION

T100



产品介绍 PRODUCT INTRODUCTION



4G Cat.1

P2P Networking

Subnet Proxy

Network Serial Port

Remote O&M

The Net Genie T100 is an innovative **remote networking** device launched by IOTRouter Chengdu. It integrates an ARM A7 processor, 1 WAN/LAN port, dual RS485 interfaces, and operates reliably across 9–36V power input and -20 to 85°C environments.

The core advantage of this product focuses on **efficient** and **secure** networking: No public IP is required for **intranet penetration**, while **P2P direct connection** eliminates cloud bandwidth reliance for larger traffic. Its **decentralized architecture** with equal, independent nodes enables independent data forwarding for networking. Combined with **AES-GCM** encryption, it supports UDP NAT traversal for stable connections in complex networks, thus fully safeguarding data transmission security and flexibly meeting diverse IoT networking needs.

产品规格 PRODUCT SPECIFICATION

| Model | | T100 |
|-----------------------|---------------------------------------|--|
| Core Configuration | CPU | ARM Cortex-A7 |
| | OS | Linux |
| 4G | Module | Quectel - Cat.1 (4G) |
| | Supported Bands | LTE-FDD: B1/B3/B5/B8 LTE-TDD: B34/B38/B39/B40/B41 |
| | Transmit Power | LTE-FDD: Class 3 (23 dBm ±2 dB) LTE-TDD: Class 3 (23 dBm ±2 dB) |
| | Bandwidth (Max rates are theoretical) | LTE-FDD: Max 10Mbps (DL) / Max 5Mbps (UL) LTE-TDD: Max 8.96Mbps (DL) / Max 3.1Mbps (UL) |
| Ethernet Ports | WAN/LAN | 1 × 10/100M Auto-Negotiation |
| RS485 | Interface Quantity | 2 Ports |
| | Connection Terminals | A, B |
| | Baud Rate | 2400~921600bps |
| | Data Bits | 7, 8 |
| | Stop Bits | 1, 2 |
| | Parity | NONE (No Parity), EVEN (Even Parity), ODD (Odd Parity) |
| RTC | Local Clock | Anti-static, Anti-surge |
| Indicator Lights | LED | Supported |
| Electrical Parameters | Certification | 4 pcs |
| | Power Adapter | CE |
| | Operating Voltage | 12V/2A |
| | Operating Current | 9~36V |
| | | 60mA/12V |

产品规格 PRODUCT SPECIFICATION

| | | |
|--------------------------|---------------------------------|--|
| Environmental Parameters | Operating Temperature | -20~85°C |
| | Storage Temperature | -20~85°C |
| | Operating Humidity | 0~95%RH (non-condensing) |
| | Storage Humidity | 0~95%RH (non-condensing) |
| Mechanical Parameters | Dimensions | 83.8×58.5×25mm |
| | Enclosure Material | Galvanized Steel |
| | Installation Method | DIN Rail |
| | Heat Dissipation | Passive Cooling |
| | Reset Button | Press & hold for 10s to reset |
| EMC | Electrostatic Discharge (ESD) | Air Discharge: Level 3 ±8KV Contact Discharge: Level 2 ±4KV |
| | Surge (SURGE) | Level 2 ±1KV |
| | Electrical Fast Transient (EFT) | Level 2 ±1KV |
| | Remote O&M | Supported |
| Software Features | Remote Management | Supported |
| | Remote Update | Supported |
| | P2P Networking | Supported |
| | Subnet Proxy | Supported |
| | Network Serial Port | Supported |

接线说明 WIRING INSTRUCTION

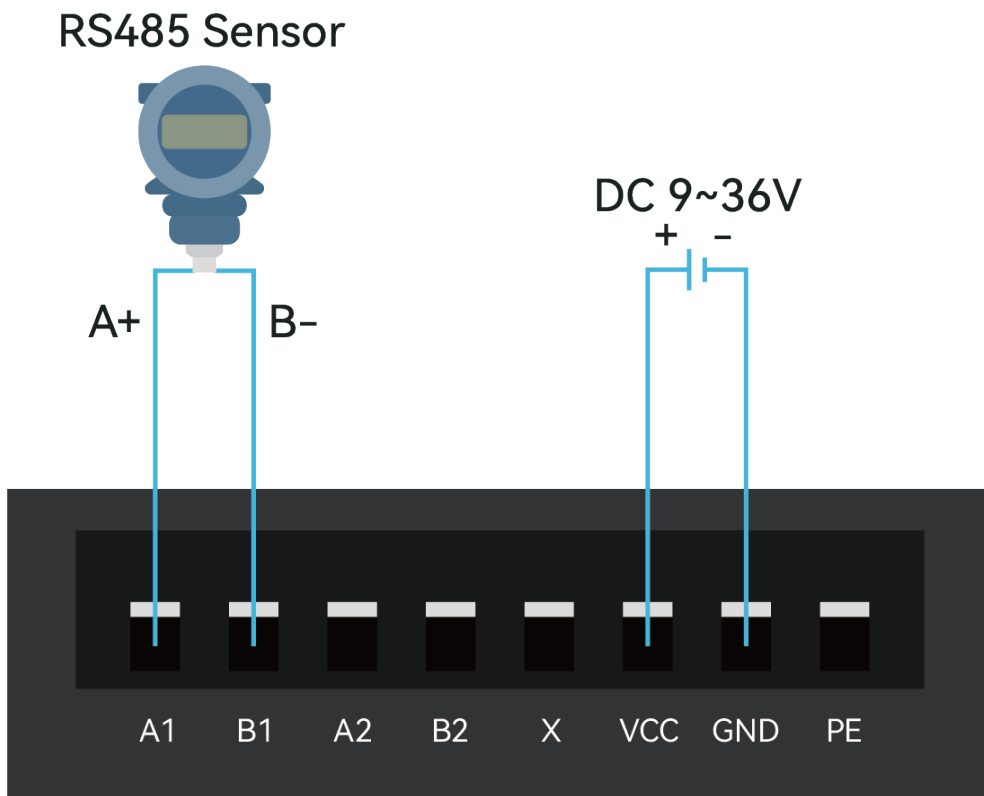


Interface Identification Diagram - 1



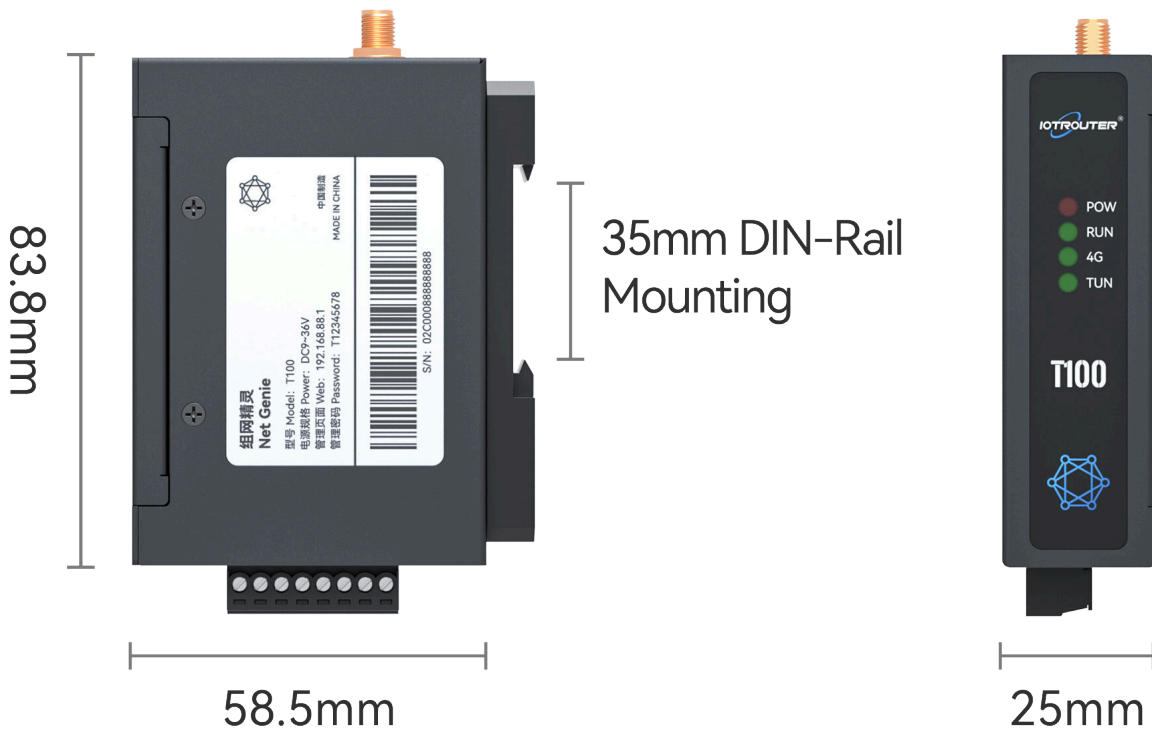
Interface Identification Diagram - 2

接线说明 WIRING INSTRUCTION



Power Supply & RS485 Wiring Diagram

安装说明 INSTALLATION INSTRUCTION



Product Size

LEADING PROVIDER OF IT-OT CONVERGENCE PRODUCTS

R&D Center :

CHENGDU IOTRouter TECHNOLOGY CO., LTD
No. 599, Section 1, Huafu Avenue, Shuangliu District,
Chengdu city, Sichuan Province, China

Website :

en.iotrouter.com

Mail :

agnes@iotrouter.com



WhatsApp