



PRODUCT SPECIFICATION

D0008R



前言 PREFACE

Intended Use

This product (EM Series FlowPLC® Edge Computing Gateway) is only for use as specified in relevant technical documents. Proper transport, storage, assembly, installation, commissioning, operation, and maintenance are required for safe, reliable operation. Ensure permissible environmental conditions (e.g., temperature, humidity, supply voltage). Observe all notices in this specification and related documents.

Qualified Personnel

Only qualified personnel may operate the products/systems described. Operators must strictly follow the accompanying documents, especially safety and warning notices. With relevant training and experience, qualified personnel can identify potential risks and avoid hazards.

Reliable Grounding and Connection

During operation, the protective earth terminal (PE/M) must be reliably grounded. Improper grounding or connection may cause malfunction, data loss, or injury. Always follow the wiring requirements in this specification and periodically check connection reliability.

Disclaimer

We assume no liability for loss or error arising from use of this document. Consistency with actual hardware and software has been checked, but deviations may exist; complete consistency is not guaranteed. All data tested per regulations. We reserve the right to improve and correct function and performance descriptions in later versions. Watch for document updates.

Revision History

Revision	Date	Description
V1.0	June 2026	First release

Scope of Document

This document applies to Zongheng Intelligent Control EM Series products, mainly including:

- Communication Coupler: D0008R

Specific configuration subject to product model and order number.

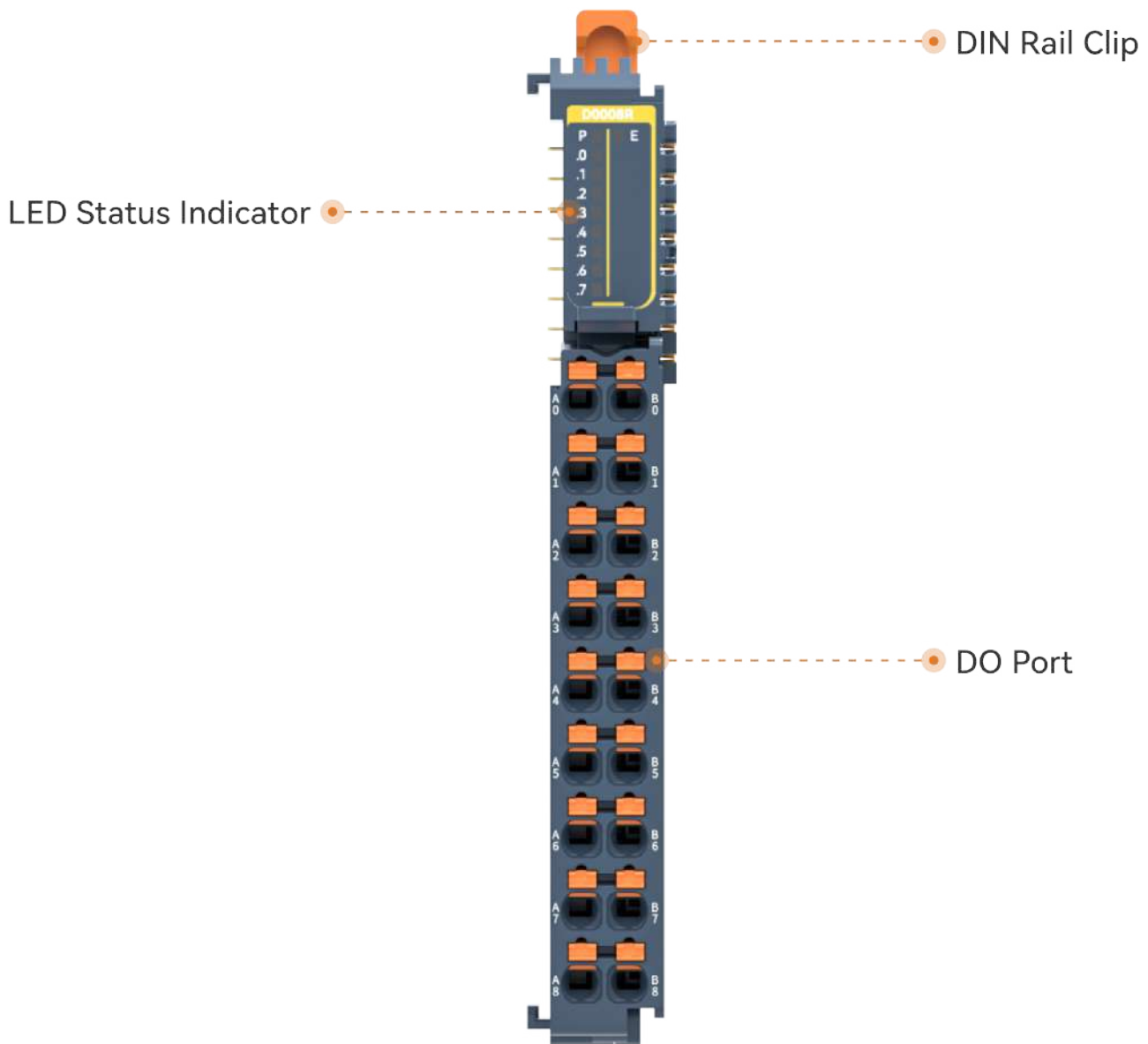
Recycling and Disposal

To ensure environmentally compliant recycling, do not dispose of waste equipment with household waste. Contact a certified e-waste disposal service or follow local regulations. Recycle modules containing batteries (e.g., RTC batteries) separately.

产品规格 PRODUCT SPECIFICATION

Model		D0008R
DO	Ports	8
	Terminal	NO × 8, COM × 8
	Output Type	Relay output (Omron)
	Load Capacity	300 mA @ 125 VAC; 1 A @ 30 VDC
	Rated Coil Power	100 mW
	Coil Resistance	237 Ω
	Operate Time	3 ms
	Release Time	3 ms
	Protection	Full isolation, ESD, surge protection
Electrical	Certification	CE
	Operating Voltage	5V
	Operating Current	/
Environmental	Operating Temperature	-40 to 85 °C
	Storage Temperature	-40 to 85 °C
	Operating Humidity	0 – 95% RH (non-condensing)
	Storage Humidity	0 – 95% RH (non-condensing)
Mechanical	Dimensions	19 × 100 × 80 mm
	Enclosure Material	PC
	Mounting	DIN rail
	Cooling	Passive
EMC	ESD	Air: Level 3 ±8 kV Contact: Level 2 ±4 kV
	Surge	Level 2 ±1 kV
	EFT	Level 2 ±1 kV

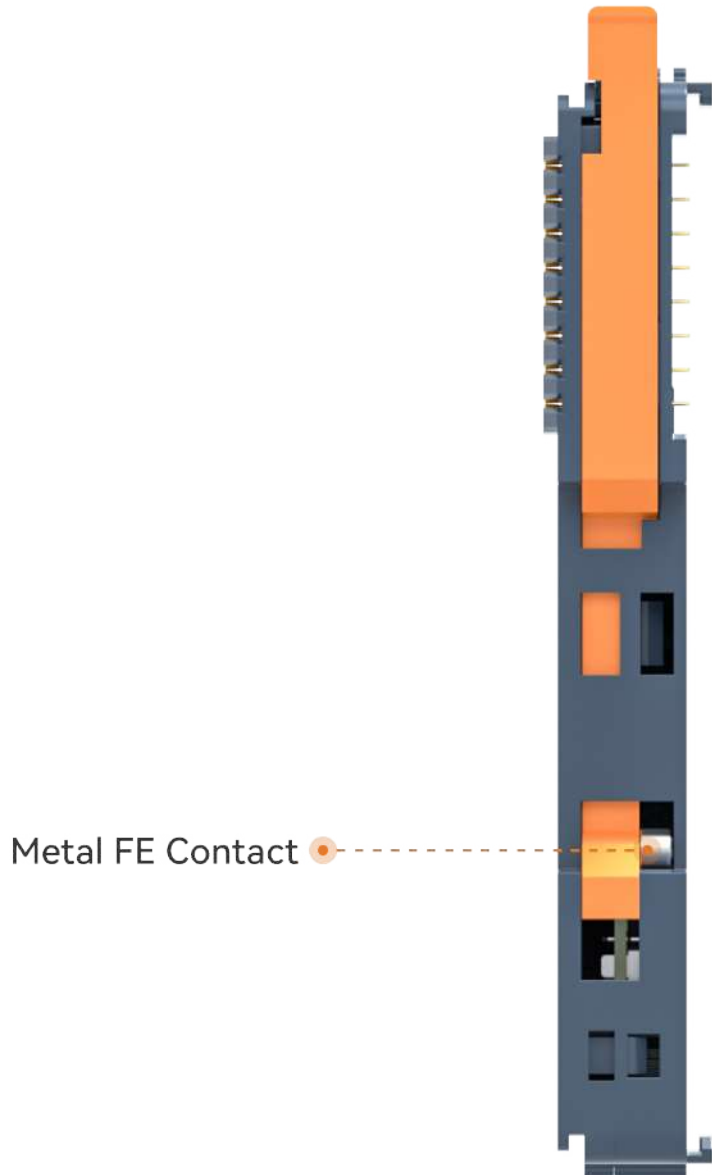
产品总览 PRODUCT OVERVIEW



D0008R Front View

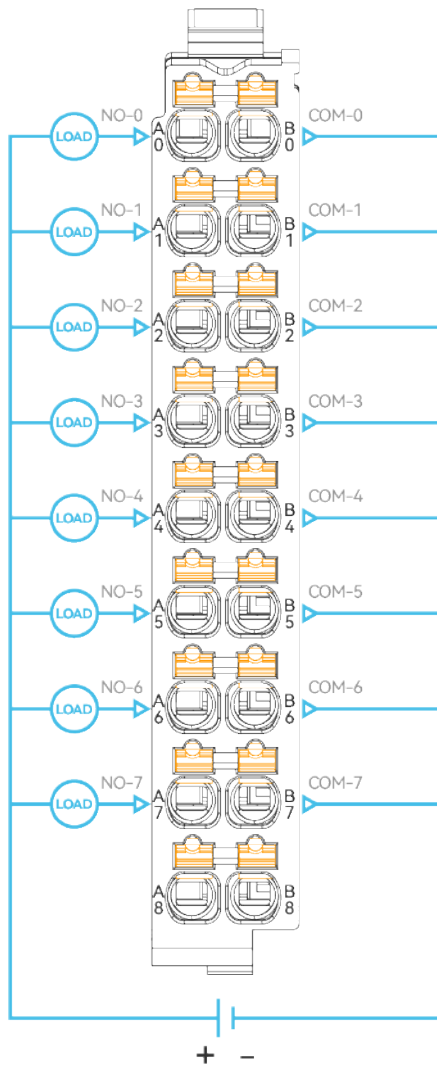


产品总览 PRODUCT OVERVIEW

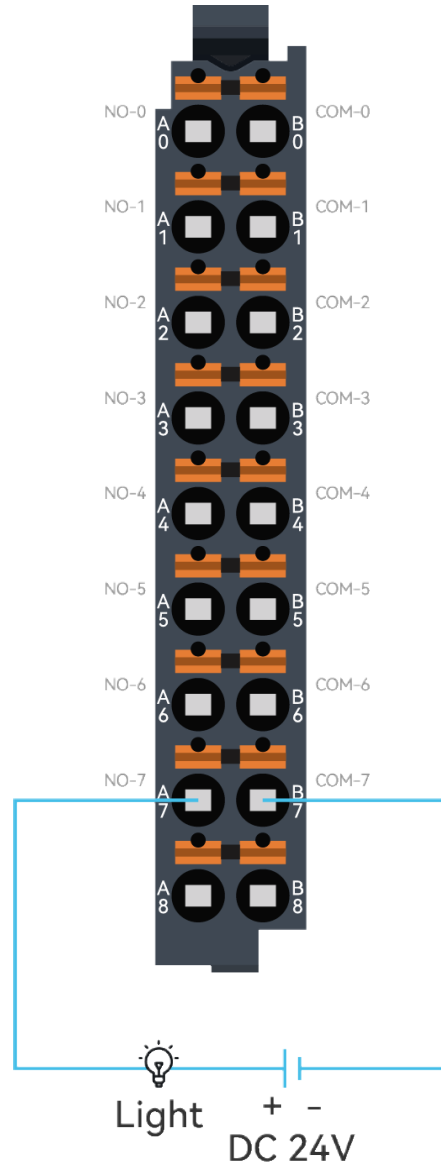


D0008R Rear View

接线说明 WIRING INSTRUCTION



DO Wiring Schematic



DO Wiring Diagram

安装说明 INSTALLATION INSTRUCTION



Product Dimensions

A LEADING PROVIDER OF INTEGRATED IT AND OT PRODUCTS

R&D Center :

CHENGDU IOTRouter TECHNOLOGY CO., LTD
No. 599, Section 1, Huafu Avenue, Shuangliu District,
Chengdu city, Sichuan Province, China

Website :

en.iotrouter.com

Mail :

agneswang@iotrouter.com
queeney@iotrouter.com



WA: agneswang



WA: queeney