



# PRODUCT SPECIFICATION

## A0404I



## **前言** PREFACE

### **Intended Use**

This product (EM Series FlowPLC® Edge Computing Gateway) is only for use as specified in relevant technical documents. Proper transport, storage, assembly, installation, commissioning, operation, and maintenance are required for safe, reliable operation. Ensure permissible environmental conditions (e.g., temperature, humidity, supply voltage). Observe all notices in this specification and related documents.

### **Qualified Personnel**

Only qualified personnel may operate the products/systems described. Operators must strictly follow the accompanying documents, especially safety and warning notices. With relevant training and experience, qualified personnel can identify potential risks and avoid hazards.

### **Reliable Grounding and Connection**

During operation, the protective earth terminal (PE/M) must be reliably grounded. Improper grounding or connection may cause malfunction, data loss, or injury. Always follow the wiring requirements in this specification and periodically check connection reliability.

### **Disclaimer**

We assume no liability for loss or error arising from use of this document. Consistency with actual hardware and software has been checked, but deviations may exist; complete consistency is not guaranteed. All data tested per regulations. We reserve the right to improve and correct function and performance descriptions in later versions. Watch for document updates.

### **Revision History**

Revision	Date	Description
V1.0	June 2026	First release

### **Scope of Document**

This document applies to Zongheng Intelligent Control EM Series products, mainly including:

- Communication Coupler: A0404I

Specific configuration subject to product model and order number.

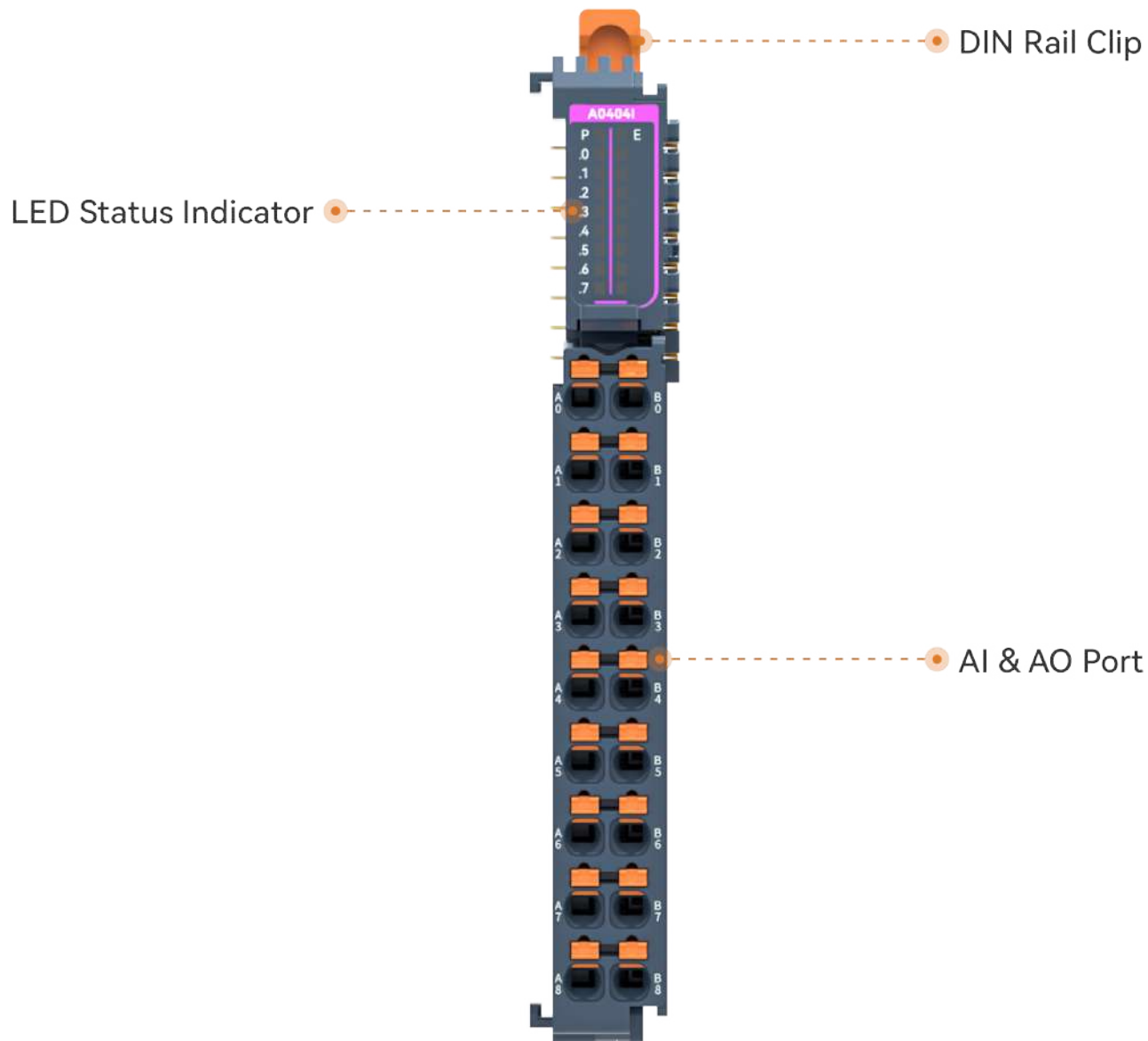
### **Recycling and Disposal**

To ensure environmentally compliant recycling, do not dispose of waste equipment with household waste. Contact a certified e-waste disposal service or follow local regulations. Recycle modules containing batteries (e.g., RTC batteries) separately.

## 产品规格 PRODUCT SPECIFICATION

Model		A0404I
AI	Ports	4
	Terminal	AI × 4
	Input Signal	4-20 mA
	Resolution	16-bit
	Sampling Rate	860 Hz
	Sampling Resistor	82 Ω (0.1%)
AO	Ports	4
	Terminal	AO × 4, AO Power 24 V / 0 V
	Output Signal	4-20 mA
	Resolution	12-bit
	Linearity Error	<1%
	Max. Load Resistance	650 Ω
Electrical	Certification	CE
	Operating Voltage	5V
	Operating Current	/
Environmental	Operating Temperature	-40 to 85 °C
	Storage Temperature	-40 to 85 °C
	Operating Humidity	0 - 95% RH (non-condensing)
	Storage Humidity	0 - 95% RH (non-condensing)
Mechanical	Dimensions	19 × 100 × 80 mm
	Enclosure Material	PC
	Mounting	DIN rail
	Cooling	Passive
EMC	ESD	Air: Level 3 ±8 kV Contact: Level 2 ±4 kV
	Surge	Level 2 ±1 kV
	EFT	Level 2 ±1 kV

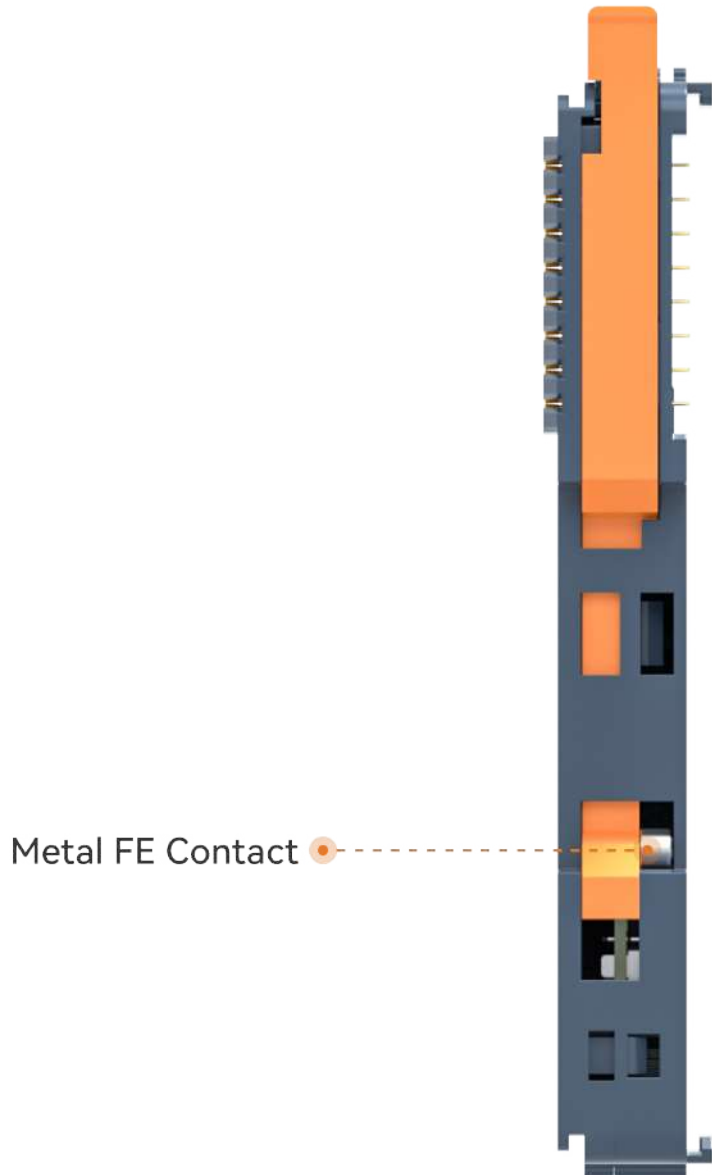
产品总览 PRODUCT OVERVIEW



A0404I Front View

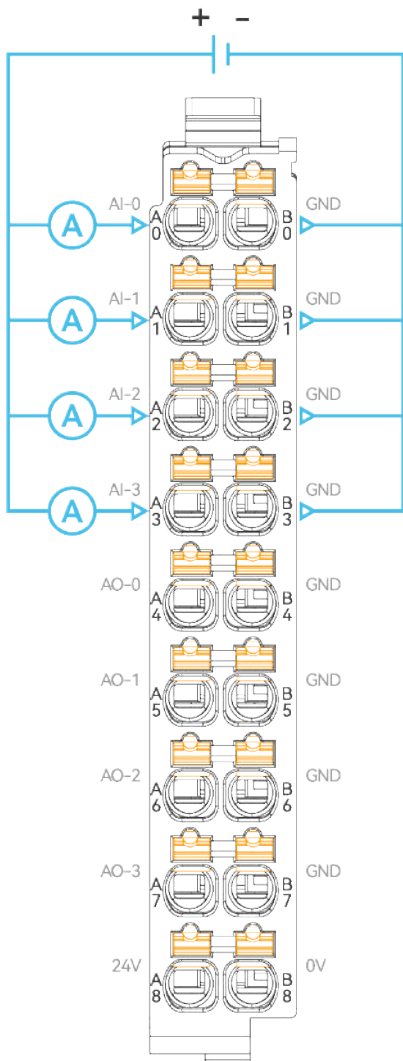


产品总览 PRODUCT OVERVIEW

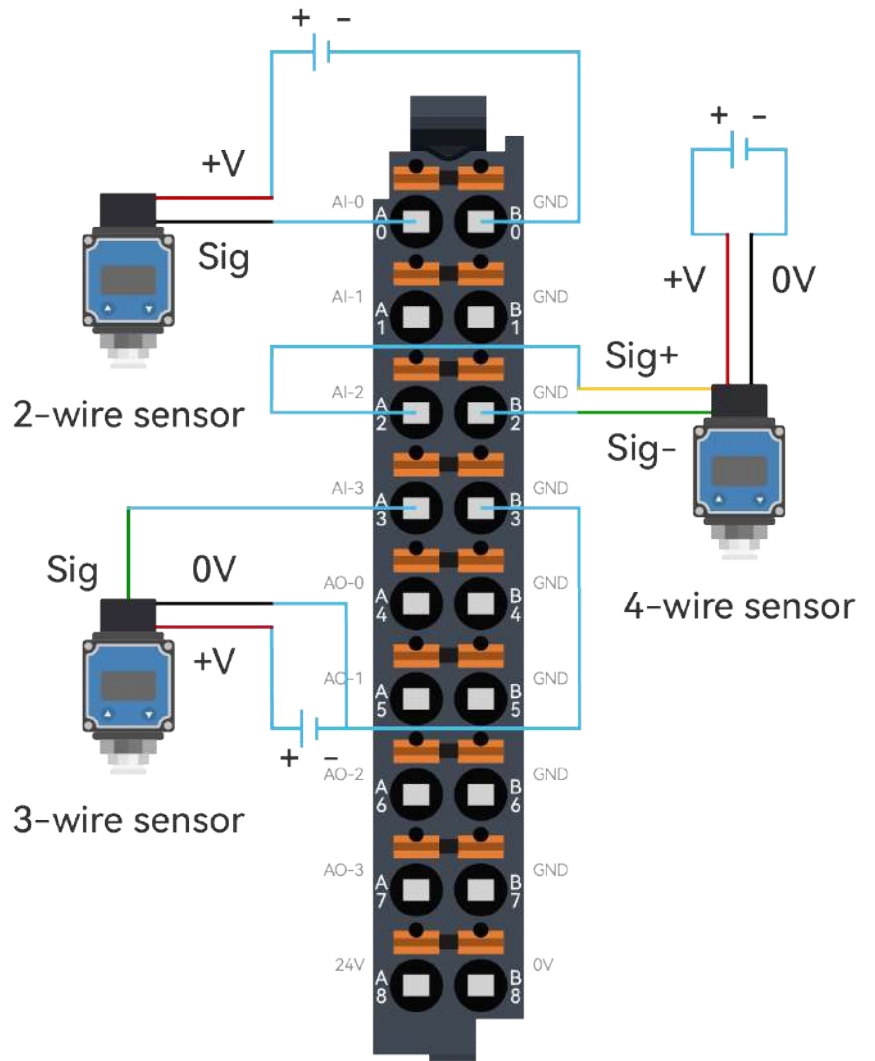


A0404I Rear View

接线说明 WIRING INSTRUCTION

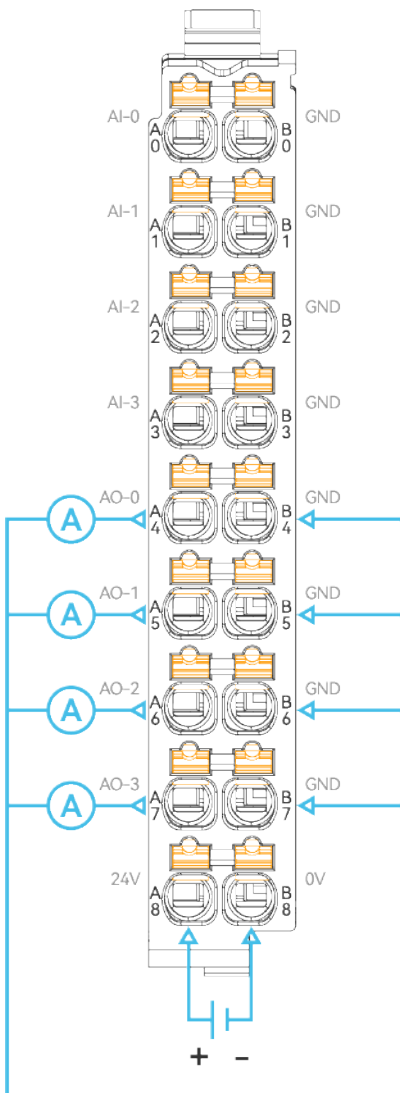


AI Wiring Schematic



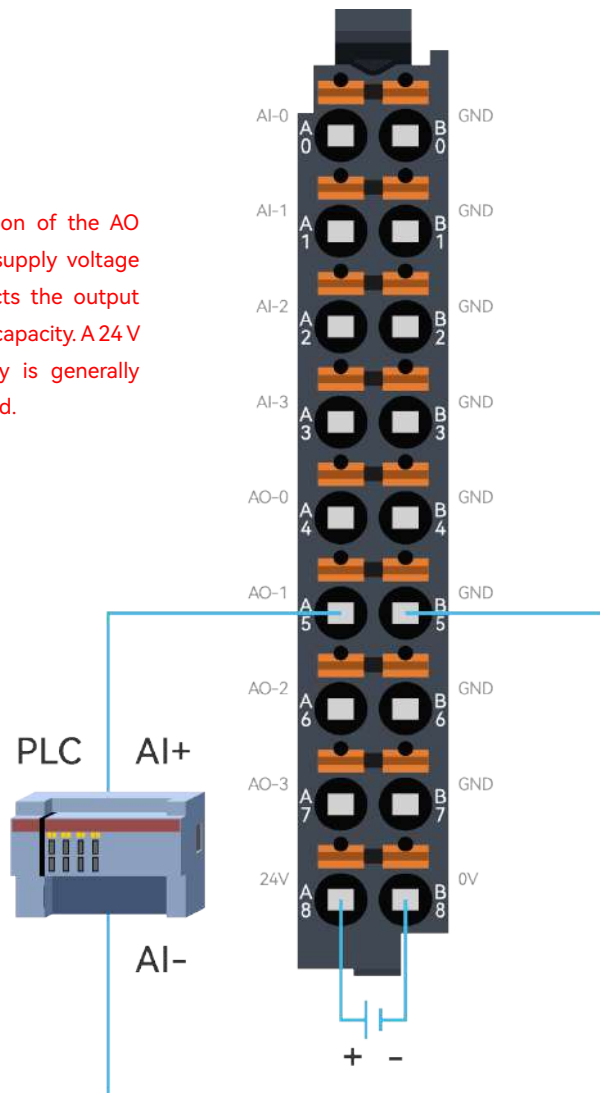
AI Wiring Diagram

接线说明 WIRING INSTRUCTION



AO Wiring Schematic

\* The selection of the AO chip power supply voltage directly affects the output current load capacity. A 24 V power supply is generally recommended.



AO Wiring Diagram

# 安装说明 INSTALLATION INSTRUCTION



Product Dimensions

# A LEADING PROVIDER OF INTEGRATED IT AND OT PRODUCTS

**R&D Center :**

CHENGDU IOTRouter TECHNOLOGY CO., LTD  
No. 599, Section 1, Huafu Avenue, Shuangliu District,  
Chengdu city, Sichuan Province, China

**Website :**

[en.iotrouter.com](http://en.iotrouter.com)

**Mail :**

[agneswang@iotrouter.com](mailto:agneswang@iotrouter.com)  
[queeney@iotrouter.com](mailto:queeney@iotrouter.com)



WA: agneswang



WA: queeney